

# REPLACEMENT PARTS GUIDE

## 6700A E-Cut™ Hybrid Fairway Mower

### ENGINE



**OIL FILTER**  
[M806418](#)

Change every 250 hrs.



**ENGINE OIL**  
[TY26669](#) (Plus-50™ II 10W-30)  
(WITH FILTER - 3.4 L (3.6 qt))  
(WITHOUT FILTER - 3.2 L (3.4 qt))

Change every 250 hrs.



**FILTER ELEMENT**  
[M131802](#) (PRIMARY)  
[M131803](#) (SECONDARY)

Change every 500 hrs.



**JOHN DEERE MULTI - PURPOSE SD POLYUREA GREASE**  
[TY6341](#) (FOR MACHINE AND LIFT ARMS)  
**JOHN DEERE SPECIAL PURPOSE GOLF AND TURF CUTTING UNIT GREASE**  
[TY25083](#) (FOR CUTTING UNIT AND CUTTING UNIT ATTACHMENTS)

**GREASE GUN**  
[TY26183](#)

Change As Required.



**FUEL FILTER**  
[MIU800645](#) (NON TIER 4)

Change every 500 hrs.



**V - BELT**  
[TCU38089](#) (LGTH = 1475 mm, TK = 12 mm, WIDTH = 11 mm) (FAN)

**FUEL SEPARATOR ELEMENT**  
[M811032](#) (TIER 4)

Change every 500 hrs.



**HYDRAULIC FILTER ELEMENT**  
[UC33371](#)

Change After First 50 Hours.



**TIE ROD**  
[TCA23641](#)

### ELECTRICAL



**KEY**  
[AUC12681](#)



**IGNITION SWITCH**  
[AUC18708](#)



**BATTERY**  
[TY25876B](#) (12 V) (FOR CANADA AND USA)  
[MCYP340PE](#) (12 V) (NOT FOR CANADA AND USA)



**VOLTAGE REGULATOR**  
[PFP22931](#)



**THERMOSTAT**  
[M811895](#)



**WATER TEMPERATURE SWITCH**  
[CH15516](#)



**V - BELT**  
[UC22770](#) (LGTH = 1438 mm, TK = 5.2 mm, WIDTH = 28.45 mm) (ALTERNATOR)

### FUEL & AIR



**FILLER CAP**  
[LVA18519](#)



**MUFFLER**  
[MIU803783](#)



# REPLACEMENT PARTS GUIDE

## 6700A Reel Cutting Unit



### ADJUSTER

[TCU25317](#)



### STATIONARY KNIFE

[TCU32581](#) (LOW CUT (HEIGHT OF CUT = 6.3 mm))



### MOWER REEL

[TCA19353](#) (8 BLADE)



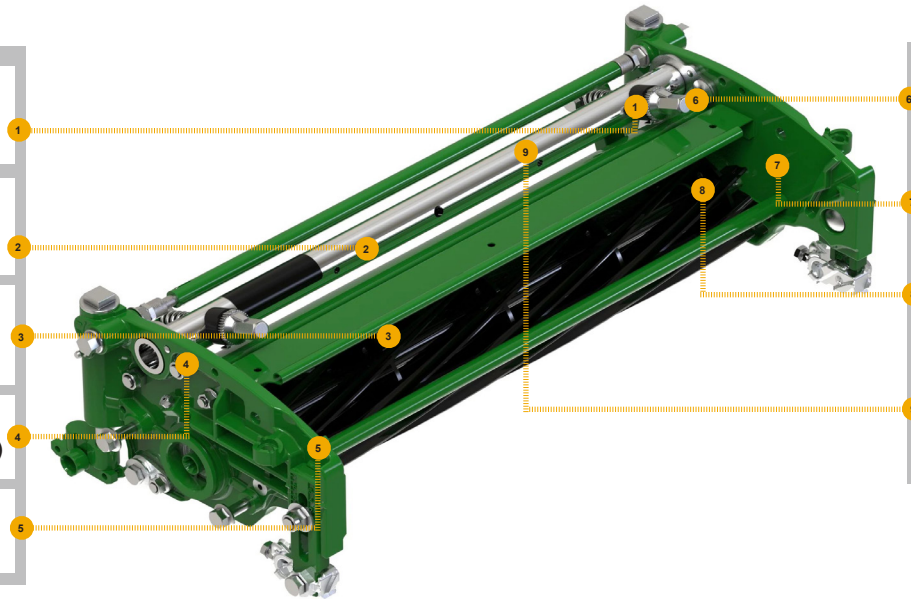
### SYNCHRONOUS BELT

[TCU32423](#) (LGTH = 474 mm, WIDTH = 11 mm)



### SHIELD

[TCA19173](#)



### TORSION SPRING

[MT2472](#)



### HYDRAULIC MOTOR

[AUC18555](#)



### BRACKET

[UC16109](#) (RH)

[UC18211](#) (LH)



### ROLLER

[AMT2967](#) (SMOOTH ROLLER)

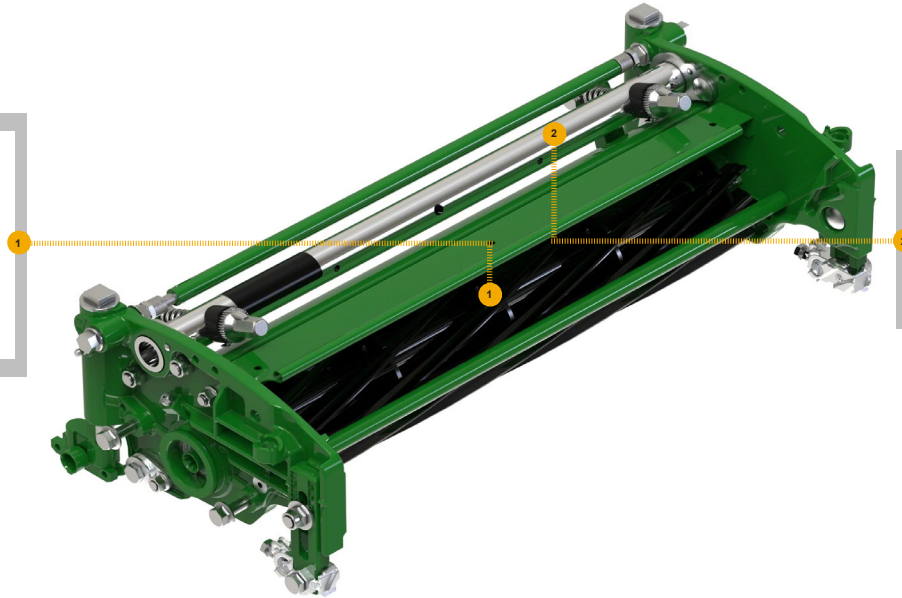


# REPLACEMENT PARTS GUIDE

## 6700A Scrapers and Rollers

### SCRAPER

- [BM23002](#) (GROOVED ROLLER SCRAPER, 3 INCH)
- [BUC10112](#) (SMOOTH SCRAPER, REAR, 2 INCH)
- [BUC10114](#) (SMOOTH SCRAPER, FRONT, 22 INCH)
- [BUC10342](#) (SMOOTH SCRAPER, 22 INCH)



### ROLLER

- [BM19817](#) (3 INCH)
- [BM25317](#) (3 INCH)
- [BTC10835](#) (22 INCH)