

# 190G W

## Wheeled Excavator



JOHN DEERE







## ***YOU CAN GET THERE FROM HERE***

Need to roll out some serious mid-size excavator muscle with a maneuverable wheelbase? How about running on massive jobsites and between projects without having to trailer the machine? Could a variety of boom, blade, bucket, and outrigger options push your operation to new levels of productivity? If your jobs include earthmoving, transporting materials, loading trucks, clearing ditches, installing utilities, or building or maintaining roads, the street-smart John Deere 190G W Wheeled Excavator can be the well-rounded solution you need to dig in, get to work, and move on to the next job, and all the ones after that.



## 190G W WHEELED EXCAVATOR

## FEATURES



### The wheel deal

Short 8-foot 8-inch wheelbase makes the 190G W especially adept in close quarters — unlike unwieldy truck-mounted excavators. Pavement-friendly rubber tires and travel speeds up to 22 mph enable the machine to be driven quickly from jobsite to jobsite instead of having to load and transport it even short distances on a trailer.

### Take control

Ergonomically correct short-throw pilot levers provide smooth, predictable fingertip control with less movement or effort. Push buttons in the right lever allow predictable fingertip control of auxiliary hydraulic flow for operating attachments. Forward-neutral-reverse (F-N-R) directional switch is conveniently located on the left-hand pilot lever, for effortless control of blade and stabilizer functions.

### Pretty big plus

Powerwise™ engine/hydraulic-management system perfectly balances engine performance and hydraulic flow for predictable operation. Three productivity modes allow you to choose the digging style that fits the job. **High productivity** delivers more power and faster hydraulic response to move more material. **Power** balances power, speed, and fuel economy for normal operation. **Economy** reduces top speed and helps save fuel.

### It's easy to see

Redesigned hood profile, wide expanse of front and side glass, narrow front cab posts, large overhead glass, and numerous mirrors provide virtually unobstructed all-around visibility. Standard rearview camera displays the action behind the machine on the in-cab monitor.

### In the swing

Swing open the side panels on either side of the machine to expand the wide-open access to components. Fuel coolers and air-conditioner condensers swing out, simplifying clean-out. Side-by-side coolers are within easy reach.



+



**RELIABLE**

**EASY TO  
TRANSPORT**



### Reach for more

Monoblock boom delivers reach and lift capacity for long-distance work. Or opt for a two-piece boom to increase versatility.

### Masterful multitasker

Parallelogram blade handles backfill and cleanup duties while serving as a third stabilizer during digging. If you don't need a blade, choose the four-outrigger option for maximum stability. Activate the outriggers together or independently to quickly and easily level the machine.

### Rubber soul

Standard solid-rubber spacer between the heavy-duty dual tires puts pressure on the sidewalls to help stabilize the machine. It also keeps mud and debris out, to extend tire life.

### Powered and protected

Two-speed PowerShift™ transmission smoothly shifts on-the-go from low to high in each speed, enabling multiple operating speeds, for better responsiveness. Integrated with the axle, the transmission is positioned above ground level to protect it from damage.

### Dial up the comfort

Sculpted mechanical-suspension high-back seat slides both together with or independent of the joystick console. Multi-language LCD monitor provides intuitive access to a wealth of information and functions. Simply turn and tap the rotary dial to select work mode, access operating info, check maintenance intervals, source diagnostic codes, adjust cab temperature, tune the radio, and much more.





## 190G W WHEELED EXCAVATOR



+



**JOBSITE  
PROVEN**

**PRODUCTIVE**

### We've got it covered

Three welded bulkheads within the boom resist torsional stress. Heavy-duty covers on the oversize outriggers help prevent damage to the hydraulic cylinders. Tungsten-carbide coating creates extremely wear-resistant surface protection for the all-important bucket-to-arm joint.

### Precision Construction

From grade management and obstacle detection to product automation features and jobsite intelligence, this suite of construction technology delivers productivity solutions to help you get more done, more efficiently.

John Deere construction equipment comes with in-base connectivity — free from subscriptions or annual renewals. Analyze critical machine data, track utilization, review diagnostic alerts, and more from **the John Deere Operations Center™**. The Operations Center also enables **John Deere Connected Support™**, which uses data from thousands of connected machines to proactively address issues before they arise. Your dealer can also remotely monitor machine health, diagnose problems, and even update machine software without a trip to the jobsite.\*

\*Availability varies by region and product. Options not available in every country.



# 190G W

## WHEELED EXCAVATOR SPECIFICATIONS

<b>Engine</b>	<b>190G W</b>		
Manufacturer and Model	Isuzu 4HK1XASA13A		
Non-Road Emission Standard	EPA Final Tier 4/EU Stage IV		
Net Peak Power (ISO 9249)	129 kW (173 hp) at 1,800 rpm		
Cylinders	4		
Displacement	5.2 L (317 cu. in.)		
Off-Level Capacity	70% (35 deg.)		
Aspiration	Turbocharged, air-to-air charge-air cooler		
<b>Cooling</b>	Cool-on-demand hydraulic-driven, suction-type fan with remote-mounted drive and enclosed fan guard; side-by-side-by-side radiator, oil cooler, and intercooler with dust net		
<b>Powertrain</b>	2-speed propel with creeper mode and automatic shift		
<b>Maximum Travel Speed</b>			
Creep	2.6 km/h (1.6 mph)		
Low	8.6 km/h (5.3 mph)		
High	35.0 km/h (21.7 mph)		
Drawbar Pull	9534 kg (21,020 lb.)		
<b>Brakes</b>	Maintenance-free wet-disc brakes on front and rear axles; fully hydraulic service brakes		
<b>Tires</b>	Standard size, dual-traction-type 10.00-20 16PR tires		
<b>Front Axle</b>	All-wheel drive; can be locked hydraulically in any position		
<b>Hydraulics</b>			
<b>Main Pumps</b>	2 variable-displacement axial-piston pumps		
Maximum Rated Flow x 2	236 L/min. (62 gpm)		
<b>Pilot Pump</b>	1 gear		
Maximum Rated Flow	30 L/m (8 gpm)		
Pressure Setting	4700 kPa (682 psi)		
<b>System Operating Pressure</b>			
Implement Circuits	34 300 kPa (4,975 psi)		
Travel Circuits	34 800 kPa (5,047 psi)		
Swing Circuits	33 400 kPa (4,844 psi)		
Power Boost	36 300 kPa (5,265 psi)		
<b>Controls</b>	Pilot levers, short stroke, low-effort hydraulic pilot controls with shutoff lever		
<b>Cylinders</b>	<i>Bore</i>	<i>Rod Diameter</i>	<i>Stroke</i>
<b>Monoblock Boom (2)</b>	120 mm (4.7 in.)	85 mm (3.3 in.)	1050 mm (41.3 in.)
<b>2-Piece Boom (2)</b>	120 mm (4.7 in.)	85 mm (3.3 in.)	980 mm (38.6 in.)
<b>Positioning, 2-Piece Boom (2)</b>	170 mm (6.7 in.)	105 mm (4.1 in.)	670 mm (26.4 in.)
<b>Arm (1)</b>	125 mm (4.9 in.)	90 mm (3.5 in.)	1371 mm (54.0 in.)
<b>Bucket (1)</b>	105 mm (4.1 in.)	75 mm (3.0 in.)	1060 mm (41.7 in.)
<b>Electrical</b>			
Number of Batteries (12 volt)	2		
Battery Capacity	925 CCA		
Alternator Rating	50 amp		
<b>Worklights</b>	1 on boom left, 2 on top of cab front, and 1 on top of cab rear		
<b>Driving Lights</b>	Headlights (2), turn signals and hazard lights, LED brake lights, and side marker lights		
<b>Swing Mechanism</b>			
Swing Speed	11.5 rpm		
Swing Torque	53 000 Nm (39,090 lb.-ft.)		
<b>Serviceability</b>			
<b>Refill Capacities</b>			
Fuel Tank	290 L (76.6 gal.)		
Coolant System	28 L (7.4 gal.)		
Engine Oil With Filter	23 L (6.1 gal.)		
Swing Gearbox	6.2 L (1.6 gal.)		
Front and Rear Hub Reduction (each)	2.5 L (0.7 gal.)		
Hydraulic System	180 L (47.6 gal.)		
Hydraulic Tank	100 L (26.4 gal.)		
Transmission	2.5 L (2.6 qt.)		
<b>Axle</b>			
Front	9.5 L (2.5 gal.)		
Rear	14 L (3.7 gal.)		
Diesel Exhaust Fluid (DEF) Tank	26 L (6.9 gal.)		

While general information, pictures, and descriptions are provided, some illustrations and text may include product options and accessories NOT AVAILABLE in all regions, and in some countries products and accessories may require modifications or additions to ensure compliance with the local regulations of those countries.

**Operating Weights****190G W**

With 1.38-m<sup>3</sup> (1.81 cu. yd.), 1219-mm (48 in.), 735-kg (1,621 lb.) bucket; 2.71-m (8 ft. 11 in.) arm; 3700-kg (8,157 lb.) counterweight; 2550-mm (8 ft. 4 in.)-wide wheelbase; full fuel tank; and 75-kg (165 lb.) operator

	<i>Monoblock Boom</i>	<i>2-Piece Boom</i>
Front Blade and Rear Outrigger	19 700 kg (43,431 lb.)	20 200 kg (44,533 lb.)
Front and Rear Outriggers	20 000 kg (44,530 lb.)	20 500 kg (45,300 lb.)

**Component Weights****Undercarriage, Base**

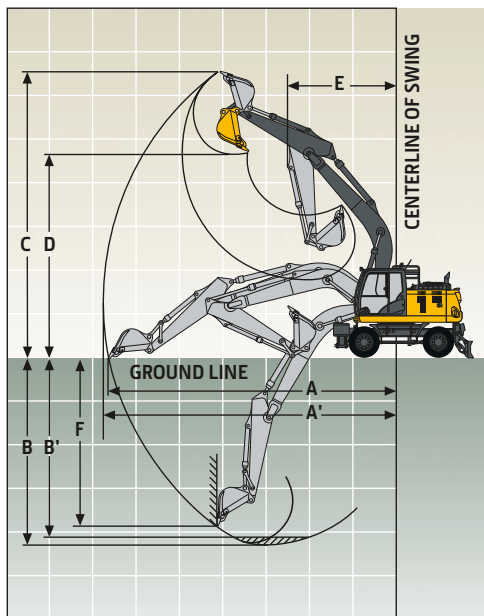
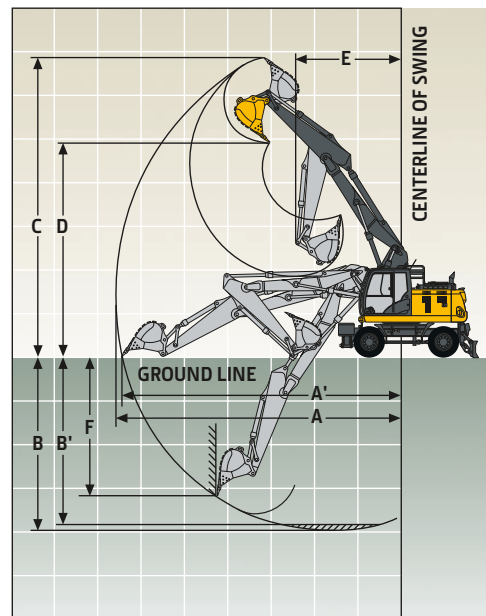
Front Blade and Rear Outrigger	2257 kg (4,976 lb.)	2257 kg (4,976 lb.)
Front and Rear Outriggers	2601 kg (5,734 lb.)	2601 kg (5,734 lb.)

**Arm With Bucket Cylinder and Linkage**

2.71-m (8 ft. 11 in.) Arm Without Cylinder	570 kg (1,257 lb.)	570 kg (1,257 lb.)
Without Cylinder	1262 kg (2,782 lb.)	1580 kg (3,483 lb.)
Cylinder(s), Total Weight		
Boom Lift (2)	155 kg (342 lb.)	155 kg (342 lb.)
Positioning (1)	309 kg (681 lb.)	309 kg (681 lb.)
Arm (1)	212 kg (467 lb.)	212 kg (467 lb.)
Bucket (1)	127 kg (280 lb.)	127 kg (280 lb.)

**Operating Dimensions**

	<i>Monoblock Boom</i>	<i>2-Piece Boom</i>
With 2.71-m (8 ft. 11 in.) Arm		
Arm Digging Force		
ISO	95 kN (21,360 lb.)	95 kN (21,360 lb.)
SAE	91 kN (20,460 lb.)	91 kN (20,460 lb.)
Bucket Digging Force		
ISO	126 kN (28,330 lb.)	126 kN (28,330 lb.)
SAE	113 kN (25,400 lb.)	113 kN (25,400 lb.)
<b>A</b> Maximum Reach	9.58 m (31 ft. 5 in.)	9.48 m (31 ft. 1 in.)
<b>A'</b> Maximum Reach at Ground Level	9.40 m (30 ft. 10 in.)	9.31 m (30 ft. 7 in.)
<b>B</b> Maximum Digging Depth	5.83 m (19 ft. 2 in.)	5.93 m (19 ft. 5 in.)
<b>B'</b> Maximum Digging Depth at 2.44-m (8 ft.) Flat Bottom	5.64 m (18 ft. 6 in.)	5.83 m (19 ft. 2 in.)
<b>C</b> Maximum Cutting Height	9.25 m (30 ft. 4 in.)	9.85 m (32 ft. 4 in.)
<b>D</b> Maximum Dumping Height	6.45 m (21 ft. 2 in.)	6.95 m (22 ft. 10 in.)
<b>E</b> Minimum Swing Radius	3.48 m (11 ft. 5 in.)	3.00 m (9 ft. 10 in.)
<b>F</b> Maximum Vertical Wall	5.26 m (17 ft. 3 in.)	5.03 m (16 ft. 6 in.)

**190G W EXCAVATOR WITH MONOBLOCK BOOM****190G W EXCAVATOR WITH 2-PIECE BOOM**

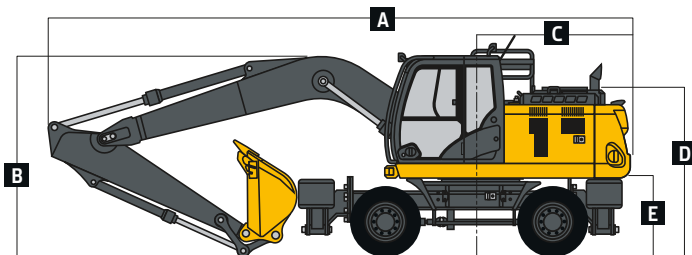
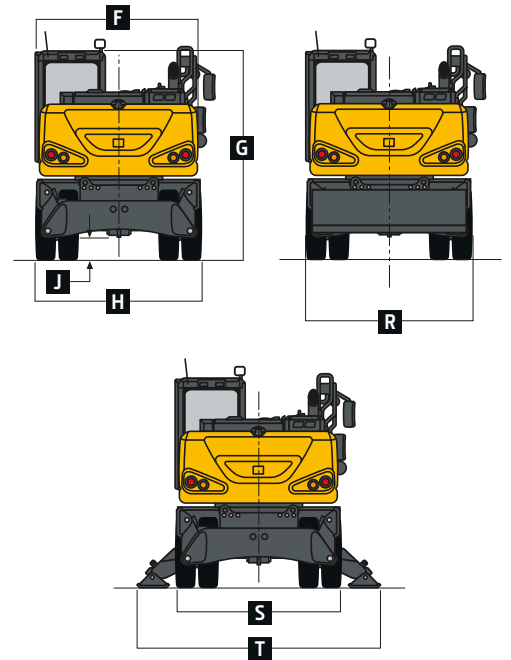
While general information, pictures, and descriptions are provided, some illustrations and text may include product options and accessories NOT AVAILABLE in all regions, and in some countries products and accessories may require modifications or additions to ensure compliance with the local regulations of those countries.



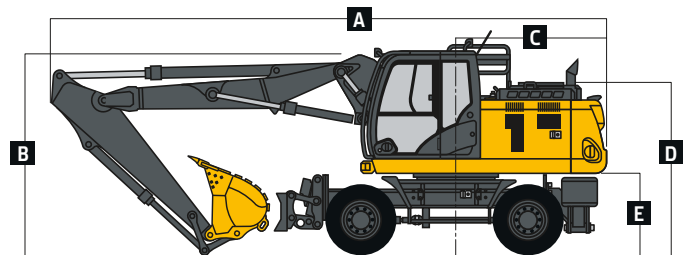
# 190G W

## WHEELED EXCAVATOR SPECIFICATIONS (continued)

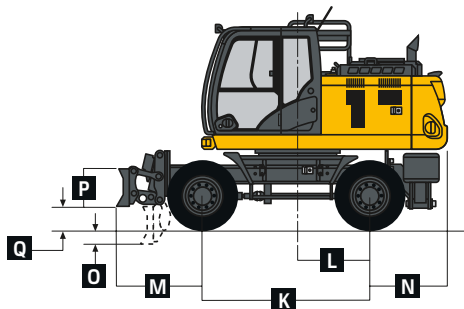
Machine Dimensions	190G W	
With 2.71-m (8 ft. 11 in.) Arm	Monoblock Boom	2-Piece Boom
<b>A</b> Overall Length		
Front Blade and Rear Outrigger	9.48 m (31 ft. 1 in.)	9.30 m (30 ft. 6 in.)
Front and Rear Outriggers	9.54 m (31 ft. 4 in.)	9.36 m (30 ft. 9 in.)
<b>B</b> Overall Height	3.12 m (10 ft. 3 in.)	3.21 m (10 ft. 6 in.)
<b>C</b> Rear-End Length/Swing Radius	2.32 m (7 ft. 7 in.)	2.32 m (7 ft. 7 in.)
<b>D</b> Engine Cover Height	2.59 m (8 ft. 6 in.)	2.59 m (8 ft. 6 in.)
<b>E</b> Counterweight Clearance	1.22 m (4 ft. 0 in.)	1.22 m (4 ft. 0 in.)
<b>F</b> Overall Width of Upperstructure	2.45 m (8 ft. 0 in.)	2.45 m (8 ft. 0 in.)
<b>G</b> Overall Height of Cab	3.22 m (10 ft. 7 in.)	3.22 m (10 ft. 7 in.)
<b>H</b> Overall Width of Tires	2.73 m (8 ft. 11 in.)	2.73 m (8 ft. 11 in.)
<b>J</b> Minimum Ground Clearance	0.35 m (14 in.)	0.35 m (14 in.)
<b>K</b> Wheelbase	2.65 m (8 ft. 8 in.)	2.65 m (8 ft. 8 in.)
<b>L</b> Swing Center to Rear Axle	1.15 m (3 ft. 9 in.)	1.15 m (3 ft. 9 in.)
<b>M</b> Front Overhang		
Front Blade and Rear Outrigger	1.36 m (4 ft. 6 in.)	1.36 m (4 ft. 6 in.)
Front and Rear Outriggers	1.38 m (4 ft. 6 in.)	1.38 m (4 ft. 6 in.)
<b>N</b> Rear Overhang	1.09 m (3 ft. 7 in.)	1.09 m (3 ft. 7 in.)
<b>O</b> Maximum Blader Lower	0.22 m (9 in.)	0.22 m (9 in.)
<b>P</b> Overall Height of Blade	0.59 m (23 in.)	0.59 m (23 in.)
<b>Q</b> Maximum Blade Raise	0.37 m (15 in.)	0.37 m (15 in.)
<b>R</b> Overall Width of Blade	2.73 m (8 ft. 11 in.)	2.73 m (8 ft. 11 in.)
<b>S</b> Overall Width, Outriggers Retracted	2.45 m (8 ft. 0 in.)	2.45 m (8 ft. 0 in.)
<b>T</b> Overall Width, Outriggers Extended	3.44 m (11 ft. 3 in.)	3.44 m (11 ft. 3 in.)
<b>V</b> Overall Height of Boom, Traveling	4.00 m (13 ft. 1 in.)	4.00 m (13 ft. 1 in.)
<b>W</b> Front Overhang, Traveling	3.33 m (10 ft. 11 in.)	3.33 m (10 ft. 11 in.)



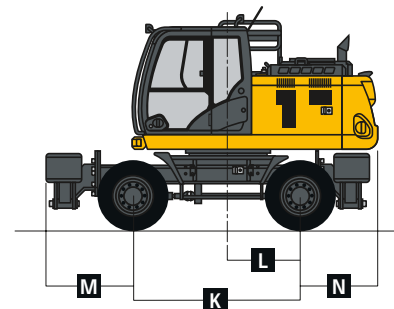
190G W EXCAVATOR WITH MONOBLOCK BOOM



190G W EXCAVATOR WITH 2-PIECE BOOM



190G W EXCAVATOR WITH FRONT BLADE AND REAR OUTRIGGER



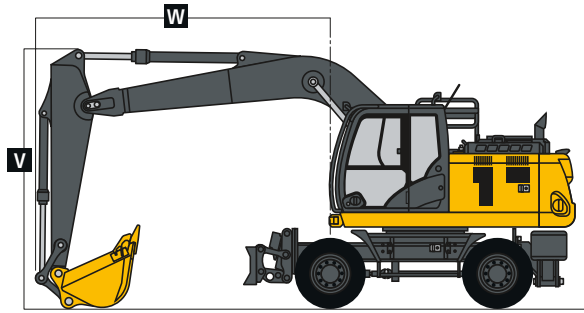
190G W EXCAVATOR WITH FRONT AND REAR OUTRIGGERS

While general information, pictures, and descriptions are provided, some illustrations and text may include product options and accessories NOT AVAILABLE in all regions, and in some countries products and accessories may require modifications or additions to ensure compliance with the local regulations of those countries.

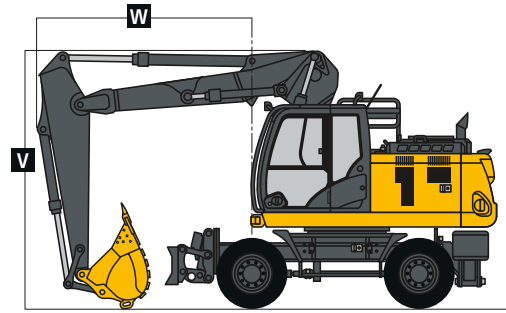


Machine Dimensions (continued)

190G W



190G W EXCAVATOR WITH MONOBLOCK BOOM (TRAVELING)



190G W EXCAVATOR WITH 2-PIECE BOOM (TRAVELING)

Lift Capacities

**Boldface type** indicates hydraulically limited capacities; lightface type indicates stability-limited capacities, in kg (lb.). Ratings at bucket lift hook; machine equipped with 600-kg (1,323 lb.) bucket, 2.71-m (8 ft. 11 in.) arm, wide tires, and standard counterweight; and situated on firm, level, uniform supporting surface, with power boost on. Figures do not exceed 87% of hydraulic capacity or 75% of weight needed to tip machine.

HORIZONTAL DISTANCE FROM CENTERLINE OF ROTATION

LOAD POINT HEIGHT	1.5 m (5 ft.)		3.0 m (10 ft.)		4.5 m (15 ft.)		6.0 m (20 ft.)		7.5 m (25 ft.)	
	Over Front	Over Side	Over Front	Over Side	Over Front	Over Side	Over Front	Over Side	Over Front	Over Side
<i>With monoblock boom; front blade and rear outriggers down</i>										
6.0 m (20 ft.)							<b>4270</b>	<b>4270</b>		
							<b>(9,420)</b>	<b>(9,420)</b>		
4.5 m (15 ft.)					<b>6230</b>	<b>6230</b>	5240	4620		
					<b>(13,740)</b>	<b>(13,740)</b>	(11,560)	(10,180)		
3.0 m (10 ft.)					7730	7120	5830	4420	<b>4480</b>	3020
					(17,040)	(15,690)	(12,850)	(9,750)	<b>(9,870)</b>	(6,650)
1.5 m (5 ft.)					8880	6670	6350	4220	5000	2930
					(19,570)	(14,700)	(14,010)	(9,300)	(11,030)	(6,450)
Ground Line		<b>4090</b>	<b>4090</b>		9130	6430	6540	4070	4940	2860
		<b>(9,010)</b>	<b>(9,010)</b>		(20,130)	(14,170)	(14,420)	(8,980)	(10,900)	(6,300)
-1.5 m (-5 ft.)		<b>8190</b>	<b>8190</b>		8500	6360	6170	4020		
		<b>(18,050)</b>	<b>(18,050)</b>		(18,740)	(14,030)	(13,600)	(8,860)		
-3.0 m (-10 ft.)		9380	9380		6980	6430	4900	4070		
		(20,680)	(20,680)		(15,380)	(14,180)	(10,810)	(8,970)		
<i>With monoblock boom; front outriggers and rear outriggers down</i>										
6.0 m (20 ft.)							<b>4270</b>	<b>4270</b>		
							<b>(9,420)</b>	<b>(9,420)</b>		
4.5 m (15 ft.)					<b>6230</b>	<b>6230</b>	5240	5240		
					<b>(13,740)</b>	<b>(13,740)</b>	(11,560)	(11,560)		
3.0 m (10 ft.)					7730	7730	5830	5160	<b>4480</b>	3530
					(17,040)	(17,040)	(12,850)	(11,370)	<b>(9,870)</b>	(7,780)
1.5 m (5 ft.)					8880	7910	6350	4950	5000	3440
					(19,570)	(17,440)	(14,010)	(10,910)	(11,030)	(7,580)
Ground Line		<b>4090</b>	<b>4090</b>		9130	7660	6540	4800	4940	3370
		<b>(9,010)</b>	<b>(9,010)</b>		(20,130)	(16,880)	(14,420)	(10,580)	(10,900)	(7,420)
-1.5 m (-5 ft.)		<b>8190</b>	<b>8190</b>		8500	7590	6170	4740		
		<b>(18,050)</b>	<b>(18,050)</b>		(18,740)	(16,730)	(13,600)	(10,450)		
-3.0 m (-10 ft.)		9380	9380		6980	6980	4900	4790		
		(20,680)	(20,680)		(15,380)	(15,380)	(10,810)	(10,570)		

While general information, pictures, and descriptions are provided, some illustrations and text may include product options and accessories NOT AVAILABLE in all regions, and in some countries products and accessories may require modifications or additions to ensure compliance with the local regulations of those countries.



# 190G W WHEELED EXCAVATOR SPECIFICATIONS (continued)

## Lift Capacities (continued)

## 190G W

**Boldface type** indicates hydraulically limited capacities; **lightface type** indicates stability-limited capacities, in kg (lb.). Ratings at bucket lift hook; machine equipped with 600-kg (1,323 lb.) bucket, 2.71-m (8 ft. 11 in.) arm, wide tires, and standard counterweight; and situated on firm, level, uniform supporting surface, with power boost on. Figures do not exceed 87% of hydraulic capacity or 75% of weight needed to tip machine.

LOAD POINT HEIGHT	HORIZONTAL DISTANCE FROM CENTERLINE OF ROTATION									
	1.5 m (5 ft.)		3.0 m (10 ft.)		4.5 m (15 ft.)		6.0 m (20 ft.)		7.5 m (25 ft.)	
	Over Front	Over Side	Over Front	Over Side	Over Front	Over Side	Over Front	Over Side	Over Front	Over Side
<i>With 2-piece boom; front blade and rear outriggers down</i>										
6.0 m (20 ft.)							3990	3990		
							(8,790)	(8,790)		
4.5 m (15 ft.)					4770	4770	4290	4290		
					(10,510)	(10,510)	(9,450)	(9,450)		
3.0 m (10 ft.)			8680	8680	6340	6340	4970	4600	<b>4070</b>	
			(19,130)	(19,130)	(13,970)	(13,970)	(10,960)	(10,150)	<b>(8,980)</b>	(6,850)
1.5 m (5 ft.)			10 580	10 580	7920	7040	5730	4570	4710	3040
			(23,330)	(23,330)	(17,470)	(15,530)	(12,640)	(10,080)	(10,390)	(6,710)
Ground Line	<b>8810</b>	<b>8810</b>	12 700	12 700	8840	7090	6290	<b>4580</b>	<b>4830</b>	2930
	<b>(19,420)</b>	<b>(19,420)</b>	(28,000)	(28,000)	(19,490)	(15,630)	(13,860)	<b>(10,090)</b>	<b>(10,640)</b>	(6,470)
-1.5 m (-5 ft.)	<b>14 160</b>	<b>14 160</b>	14 610	14 270	9070	7310	6490	4340		
	<b>(31,210)</b>	<b>(31,210)</b>	(32,210)	(31,470)	(19,990)	(16,120)	(14,310)	(9,560)		
-3.0 m (-10 ft.)	<b>23 430</b>	<b>23 430</b>	15 050	14 980	9400	6930	5930	4170		
	<b>(51,650)</b>	<b>(51,650)</b>	(33,190)	(33,020)	(20,730)	(15,280)	(13,080)	(9,190)		
<i>With 2-piece boom; front outriggers and rear outriggers down</i>										
6.0 m (20 ft.)							3990	3990		
							(8,790)	(8,790)		
4.5 m (15 ft.)					4770	4770	4290	4290		
					(10,510)	(10,510)	(9,450)	(9,450)		
3.0 m (10 ft.)			8680	8680	6340	6340	4970	4970	<b>4070</b>	3620
			(19,130)	(19,130)	(13,970)	(13,970)	(10,960)	(10,960)	<b>(8,980)</b>	(7,980)
1.5 m (5 ft.)			10 580	10 580	7920	7920	5730	5190	4710	3560
			(23,330)	(23,330)	(17,470)	(17,470)	(12,640)	(11,440)	(10,390)	(7,840)
Ground Line	<b>8810</b>	<b>8810</b>	12 700	12 700	8840	8090	6290	5270	<b>4830</b>	3460
	<b>(19,420)</b>	<b>(19,420)</b>	(28,000)	(28,000)	(19,490)	(17,840)	(13,860)	(11,620)	<b>(10,640)</b>	(7,620)
-1.5 m (-5 ft.)	<b>14 160</b>	<b>14 160</b>	14 610	14 610	9070	8310	6490	5080		
	<b>(31,210)</b>	<b>(31,210)</b>	(32,210)	(32,210)	(19,990)	(18,310)	(14,310)	(11,210)		
-3.0 m (-10 ft.)	<b>23 430</b>	<b>23 430</b>	15 050	15 050	9400	8210	5930	4910		
	<b>(51,650)</b>	<b>(51,650)</b>	(33,190)	(33,190)	(20,730)	(18,100)	(13,080)	(10,830)		

## Buckets

A full line of buckets is offered to meet a wide variety of applications. Digging forces are with power boost. Buckets are equipped with John Deere TK-Series Bucket Teeth standard. Replaceable cutting edges and a variety of teeth are available through John Deere Parts. Optional side cutters add 150 mm (6 in.) to bucket widths. Capacities are SAE heaped ratings.

Type Bucket	Bucket Width		Bucket Capacity		Bucket Weight	
	mm	in.	m <sup>3</sup>	cu. yd.	kg	lb.
General Purpose	610	24	0.39	0.5	442	970
	762	30	0.54	0.7	498	1,100
Heavy Duty	914	36	0.69	0.9	561	1,240
	1067	42	0.85	1.1	602	1,330
Ditching	1219	48	1.00	1.3	659	1,450
	1524	60	1.18	1.5	546	1,200

While general information, pictures, and descriptions are provided, some illustrations and text may include product options and accessories NOT AVAILABLE in all regions, and in some countries products and accessories may require modifications or additions to ensure compliance with the local regulations of those countries.



# Additional equipment

Key: ● Standard ▲ Optional or special

See your John Deere dealer for further information.

## 190G Engine

- Auto-idle system
- Automatic belt-tension device
- Batteries (2 – 12 volt)
- Coolant recovery tank
- Dual-element dry-type air filter
- Electronic engine control
- Enclosed fan guard (conforms to SAE J1308)
- Engine coolant to –37 deg. C (–34 deg. F)
- Fuel filter with water separator
- Full-flow oil filter
- Turbocharger with charge-air cooler
- 500-hour engine-oil-change interval
- Programmable auto-shutdown

## Hydraulic System

- Reduced-drift valve for boom down, arm in
- Auxiliary hydraulic valve section
- Brake valves for travel circuits
- Individual control of outriggers
- Hydraulic filter restriction indicator
- Spring-applied, hydraulically released automatic swing brake
- Auxiliary hydraulic-flow adjustment through monitor
- Auto power lift
- 5,000-hour hydraulic-oil-change interval
- Auxiliary hydraulic lines with hand-controlled proportional control
- ▲ Control-pattern change valve

## Undercarriage

- Brakes, 4 wheel, maintenance free, wet disc
- Creeper speed range
- Front axle, oscillating, lockable
- ▲ Front blade and rear outriggers (2)
- ▲ Outriggers (4)
- Parking brake
- Dual traction-type tires, 10.00-20, 16PR with spacer
- Toolbox on left chassis

## 190G Upperstructure

- Right- and left-hand mirrors
- Vandal locks with ignition key: Cab door / Fuel cap / Service doors

## Front Attachments

- 6.2-m (20 ft. 4 in.) monoblock boom with 2.71-m (8 ft. 11 in.) arm
- ▲ Variable-geometry, 2-piece boom with 2.71-m (8 ft. 11 in.) arm
- Centralized lubrication system
- Dirt seals on all bucket pins
- ▲ Buckets: Ditching / General purpose / General-purpose high capacity / Heavy duty / Heavy-duty high capacity / Side cutters and teeth

## Operator's Station

- Adjustable independent-control positions (levers-to-seat, seat-to-pedals)
- AM/FM radio
- Auto climate control/air conditioner with heater and pressurizer
- Built-in Operator's Manual storage compartment and manual
- Cell-phone power outlet, 12 volt
- Coat hook
- Deluxe suspension cloth seat with 100-mm (4 in.) adjustable armrests
- Floor mat
- Front windshield wiper with intermittent speeds
- Gauges (illuminated): Engine coolant / Fuel level / Speedometer
- Horn, electric
- Hour meter, electric
- Hydraulic shutoff lever, all controls
- Hydraulic warm-up control
- Interior light
- Large cup holder
- Machine Information Center (MIC)
- Mode selectors (illuminated): Power modes (3) / Work mode (1)
- High/low travel mode with creeper range

## 190G Operator's Station (continued)

- Multifunction, color LCD monitor with: Diagnostic capability / Multiple-language capabilities / Maintenance tracking / Clock / In-monitor adjustment of auxiliary pressure and flow / System monitoring with alarm features: Auto-idle indicator, Auto-shutdown indicator, brake pressure audible alarm, engine air cleaner restriction indicator light, engine check, engine coolant temperature indicator light with audible alarm, engine oil pressure indicator light with audible alarm, low-alternator-charge indicator light, low-fuel indicator light, fault-code alert indicator, fuel-rate display, water-in-fuel light, wiper-mode indicator, work-lights-on indicator, and work-mode indicator
- Motion alarm with cancel switch (conforms to SAE J994)
- Power-boost switch on right control lever
- SAE 2-lever control pattern
- Seat belt, 76 mm (3 in.), non-retractable
- Tinted glass
- Transparent tinted overhead hatch
- Tilting steering column
- Sun visor
- Windshield washer/wiper with constant and intermittent speeds
- ▲ Window vandal-protection covers

## Electrical

- 50-amp alternator
- Blade-type multi-fused circuits
- Positive-terminal battery covers
- JDLink™ wireless communication system (available in specific countries; see your dealer for details)
- Rearview camera

## Lights

- Headlights (2)
- Worklights, top of cab (2), rear of cab (1), and boom (1)
- Turn signals / Hazard lights
- Brake lights
- Side marker lights

While general information, pictures, and descriptions are provided, some illustrations and text may include product options and accessories NOT AVAILABLE in all regions, and in some countries products and accessories may require modifications or additions to ensure compliance with the local regulations of those countries.

Net engine power is with standard equipment including air cleaner, exhaust system, alternator, and cooling fan at test conditions specified per ISO 9249. No derating is required up to 3050-m (10,000 ft.) altitude. Specifications and design subject to change without notice. Wherever applicable, specifications are in accordance with SAE standards. Except where otherwise noted, these specifications are based on a unit with 1.38-m<sup>3</sup> (1.81 cu. yd.), 1219-mm (48 in.), 735-kg (1,621 lb.) bucket, 2.71-m (8 ft. 11 in.) arm, full fuel tank, and 75-kg (165 lb.) operator.





DKAXGW190 (23-09)



**JOHN DEERE**