



JOHN DEERE

3756G SWING MACHINE





3756G SWING MACHINE

OUT HERE, UPTIME IS THE ONLY THING THAT MATTERS.

You're in the woods and facing the challenges there every day. So when we asked loggers like you how we could make our adaptable swing machines even better, we heard "uptime" loud and clear. Then we spent thousands of hours redesigning components, testing equipment, and pushing performance until we got results you can count on. Rugged frame structures, reliable systems, and a major cab update are just some of the proven features of our latest 3756G Swing Machine. Because in the forest, keeping up and running long mean everything to your operation.

Strength for the long haul

Purpose-built boom-foot base, along with bushings in mainframe and boom tip, improves frame and joint durability and streamlines repairs.

Get on track

Longer track frames on the 3756G put more track on the ground, for greater stability — and up to 17-percent more lifting power than the model it replaces.

Comfort in the cab

With an additional three inches of legroom over earlier models, the cab is isolation mounted to reduce noise and vibration, cushion the ride in rough terrain, and substantially minimize fatigue. Ergonomically correct short-throw pilot levers provide smooth, precise fingertip control with less movement or effort.

Designed by loggers for loggers

Two cab options significantly enhance operator comfort. Forestry-excavator cab is 25-percent larger than previous models. Log-loader cab features a riser and windows in the floor, for superb visibility to the tracks and work area. Optional cab-forward riser enables additional visibility to the right.



**OPT FOR LOG-LOADER OR
FORESTRY-EXCAVATOR CAB TO
BOOST VERSATILITY**

See the light

Standard 14-light LED package provides powerful illumination. LED lights in the service compartment mean no more fumbling with a flashlight to see what you're working on. An access light helps you safely enter and exit at the rear of the cab.

Work your way

Three productivity modes allow you to adjust the machine to the application. **High productivity** delivers more power and faster hydraulic response. **Power** delivers a balance of power, speed, and fuel economy for normal operation. **Economy** limits top speed and helps save fuel.

At your service

Larger service bays make it easier to reach components, so daily checks and preventative maintenance get done effortlessly and on schedule. Right-side service panel tilts down to provide a stable platform for accessing filters, diesel exhaust fluid (DEF), hydraulic oil-fill locations, and other routine service points.

3756G SWING MACHINE

PUT TECHNOLOGY TO WORK IN THE WOODS AND AT THE OFFICE.

Coordinate your operation and your team's productivity from wherever your work takes you with John Deere Precision Forestry and our core technology solutions.

FEATURES

Core intelligence

Your John Deere Forestry machine arrives from the factory equipped with a powerful set of technologies and capabilities already built in. Each plays an important role in managing the health and performance of your overall equipment fleet:

- **JDLink™** connectivity lets you track your equipment, see which machines are working, and know if they're being utilized properly and at maximum productivity and efficiency.
- Enabled through JDLink, **John Deere Connected Support™** leverages a suite of dealer and factory tools designed to deliver increased uptime and productivity, and lower daily operating costs.
- **Remote Diagnostics and Programming Capability** within John Deere Connected Support helps your dealer warn you of any issue with your machine — often before you know of the problem yourself — and initiate solutions without charging you for a technician's visit to your jobsite.
- Our advanced dual approach to **Machine Health** combines the expertise of the technology specialists at our dealerships with the data specialists at our central Machine Health Monitoring Center (MHMC). As part of John Deere Connected Support, information from thousands of connected machines flows through the MHMC, enabling our specialists to identify trends and develop new and improved preventative-maintenance and repair protocols.



JOHN DEERE PRECISION FORESTRY

TOOLS ENABLE PRODUCTION
PLANNING & TRACKING

Precision Forestry

Take the guesswork out of planning, implementing, and monitoring your logging operation. The tools of our production-planning and -tracking system expand on the core technology features that come standard in every John Deere Forestry machine to unleash a powerful new array of possibilities:

- **TimberMatic™ Maps** is an innovative onboard software solution that helps you reimagine your jobsites. Real-time production views, optimized routes, and shared wireless connections between machines make it easier than ever before to take your forestry operation to the next level.
- **TimberManager™** is a web-based solution for PCs, tablets, and mobile phones that allows you to follow jobsite progress. Combined with TimberMatic Maps, this software provides complete visibility of your operation — from land harvested to specific machines — so you can streamline communication, analyze tasks, and increase productivity:
 - **Remote Monitoring** keeps tabs on the health and performance of your fleet from wherever you are.
 - **Precise Progress Tracking** lets you set goals for your team to meet throughout the day.
 - **Live Production View** displays progress including tree count, area harvested, and estimated tonnage.
 - **Simplified Mapping** of machine data and GPS-based location tracking shows precise stem and log counts.
 - **Real-Time Updates** let you adjust course or eliminate tasks if needed to maintain steady workflow.
 - **Fleet Optimization** goes beyond machine management to help improve the efficiency of your business.

3756G SWING MACHINE SPECIFICATIONS

Engine	3756G Processor / Valve-in-Head (VIH) Log Loader / Live-Heel Log Loader		
Manufacturer and Model	John Deere PowerTech™ PSS 9.0 L		John Deere PowerTech™ Plus 9.0 L
Non-Road Emission Standards	EPA Final Tier 4 (FT4)/EU Stage IV		EPA Tier 3/EU Stage IIIA
Net Rated Power (ISO 9249)	202 kW (271 hp) at 1,900 rpm		202 kW (271 hp) at 1,900 rpm
Cylinders	6		6
Engine Displacement	9.0 L (549 cu. in.)		9.0 L (549 cu. in.)
Off-Level Capacity	70% (35 deg.)		70% (35 deg.)
Aspiration	Series turbocharged, air-to-air charge-air cooler		Turbocharged, air-to-air charge-air cooler
Oil Filter, Remote Mounted	Full-flow spin-on filter		Full-flow spin-on filter
Cooling			
Fan Drive	Cool-on-demand hydraulic-driven, suction-type fan with remote-mounted drive and standard reversing fan		
Powertrain			
2-speed propel with automatic shift			
Maximum Travel Speed			
Low	3.0 km/h (1.9 mph)		
High	3.9 km/h (2.4 mph)		
Drawbar Pull	36 102 kgf (79,590 lbf)		
Hydraulics			
Open center, pilot operated			
Main Pumps	2 variable-displacement pumps		
Maximum Rated Flow x 2	304 L/m (80.3 gpm)		
System Operating Pressure			
Implement Circuits	34 300 kPa (4,975 psi)		
Power Boost	38 000 kPa (5,511 psi)		
Controls	Pilot levers; short-stroke, low-effort hydraulic pilot with shutoff lever		
Electrical			
	<i>EPA FT4/EU Stage IV</i>		<i>EPA Tier 3/EU Stage IIIA</i>
System Voltage	24 volt		
Alternator Rating	150 amp		130 amp
Lights (standard)			
Work	14 LEDs		14 LEDs
Service			
With Side-Entry Cab	5 LEDs (compartments)		5 LEDs (compartments)
With Rear-Entry Cab	6 LEDs (compartments and riser)		6 LEDs (compartments and riser)
Access	1 LED (right rear cab)		1 LED (right rear cab)
Undercarriage			
Rollers (per side)			
Carrier	2		
Track	9		
Shoes, Double Grousers (per side)	53		
Undercarriage			
Pitch	216 mm (8.5 in.)		
Size	470 P-Tier		
Swing Mechanism			
Swing Speed	11.0 rpm		
Swing Torque	148 462 Nm (109,500 lb.-ft.)		
Ground Pressure			
	3756G Processor	3756G VIH Log Loader	3756G Live-Heel Log Loader
700-mm (28 in.) Double-Grouser Shoes	79.3 kPa (11.5 psi)	75.8 kPa (11.0 psi)	74.5 kPa (10.8 psi)
Operator's Station			
3756G Processor / VIH Log Loader / Live-Heel Log Loader			
Operator Height From Ground (eye level)			
Side-Entry Forestry Cab	3125 mm (10 ft. 2 in.)		
Rear-Entry Log Loader Cab	3125 mm (10 ft. 2 in.)		
Standard rearview camera			

While general information, pictures, and descriptions are provided, some illustrations and text may include product options and accessories NOT AVAILABLE in all regions, and in some countries products and accessories may require modifications or additions to ensure compliance with the local regulations of those countries.

Serviceability 3756G Processor / VIH Log Loader / Live-Heel Log Loader

Refill Capacities

Fuel Tank	1080.0 L (285.0 gal.)
Cooling System	39.7 L (10.5 gal.)
Diesel Exhaust Fluid (DEF) Tank (FT4)	43.6 L (11.5 gal.)
Engine Crankcase (including filter)	27.0 L (28.5 qt.)
Hydraulic Tank Oil	195.0 L (52.0 gal.)

Operating Weights 3756G Processor 3756G VIH Log Loader 3756G Live-Heel Log Loader

With full fuel tank, 79-kg (175 lb.) operator, rear-entry log loader cab, 7975-kg (17,582 lb.) heavy counterweight, 700-mm (28 in.) double-grouser shoes, and 2.92-m (9 ft. 7 in.) LC undercarriage; no attachment included

	EPA FT4/ EU Stage IV	EPA Tier 3/ EU Stage IIIA	EPA FT4/ EU Stage IV	EPA Tier 3/ EU Stage IIIA /	EPA FT4/ EU Stage IV	EPA Tier 3/ EU Stage IIIA
SAE Operating Weight	48 471 kg (106,861 lb.)	48 245 kg (106,361 lb.)	48 032 kg (105,893 lb.)	47 806 kg (105,393 lb.)	48 852 kg (107,700 lb.)	48 625 kg (107,200 lb.)

Optional Components (add weight)

Side-Entry Forestry Cab	-671 kg (-1,480 lb.)	-671 kg (-1,480 lb.)	-671 kg (-1,480 lb.)	-671 kg (-1,480 lb.)	-671 kg (-1,480 lb.)	-671 kg (-1,480 lb.)
Non-LC Undercarriage	-716 kg (-1,578 lb.)	-716 kg (-1,578 lb.)	-716 kg (-1,578 lb.)	-716 kg (-1,578 lb.)	-716 kg (-1,578 lb.)	-716 kg (-1,578 lb.)

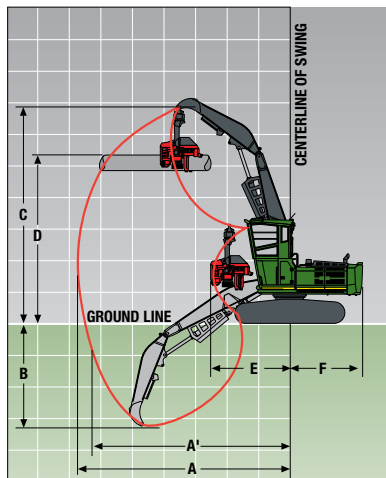
Operating Dimensions

With standard equipment, 700-mm (28 in.) shoes, 7975-kg (17,582 lb.) heavy counterweight, full fuel tank, and 79-kg (175 lb.) operator

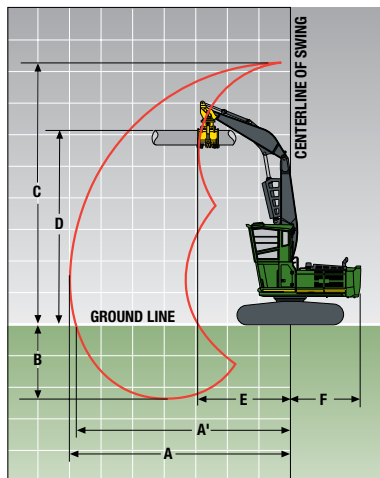
	4.88-m (16 ft. 0 in.) Processor Arm	4.88-m (16 ft. 0 in.) VIH Log Loader Arm	4.88-m (16 ft. 0 in.) Live-Heel Log Loader Arm
A Maximum Reach	11.63 m (38 ft. 2 in.)	11.68 m (38 ft. 4 in.)	13.13 m (43 ft. 1 in.)
A' Maximum Reach at Ground Level	11.40 m (37 ft. 5 in.)	11.46 m (37 ft. 7 in.)	12.90 m (42 ft. 4 in.)
B Maximum Working Depth	3.94 m (12 ft. 11 in.)	3.91 m (12 ft. 10 in.)	5.31 m (17 ft. 5 in.)
C Maximum Working Height	13.59 m (44 ft. 7 in.)	13.72 m (45 ft. 0 in.)	15.14 m (49 ft. 8 in.)
D Maximum Log-Level Height	9.93 m (32 ft. 7 in.)	9.53 m (31 ft. 3 in.)*	9.30 m (30 ft. 6 in.) [†]
D' Maximum Log-Level Height	N/A	N/A	10.36 m (34 ft. 0 in.) [‡]
E Minimum Swing Radius	4.90 m (16 ft. 1 in.)	4.75 m (15 ft. 7 in.)	4.78 m (15 ft. 8 in.)
F Tail Swing Radius	3.71 m (12 ft. 2 in.)	3.71 m (12 ft. 2 in.)	3.71 m (12 ft. 2 in.)

*Attachment dependent. /[†]Log resting on heel rack rear plate, attachment dependent. /[‡]Log resting on heel rack front plate, attachment dependent.

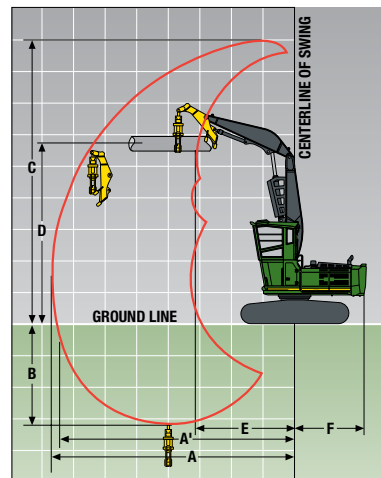
3756G Processor



3756G VIH



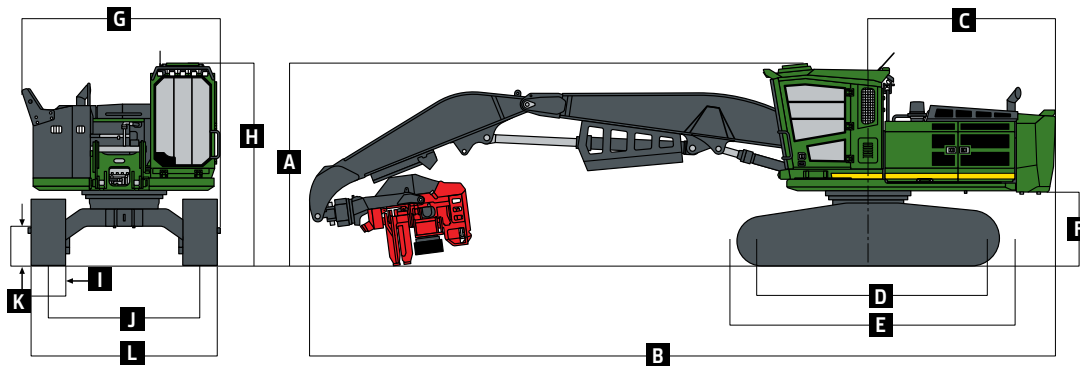
3756G Live Heel



3756G SWING MACHINE SPECIFICATIONS (continued)

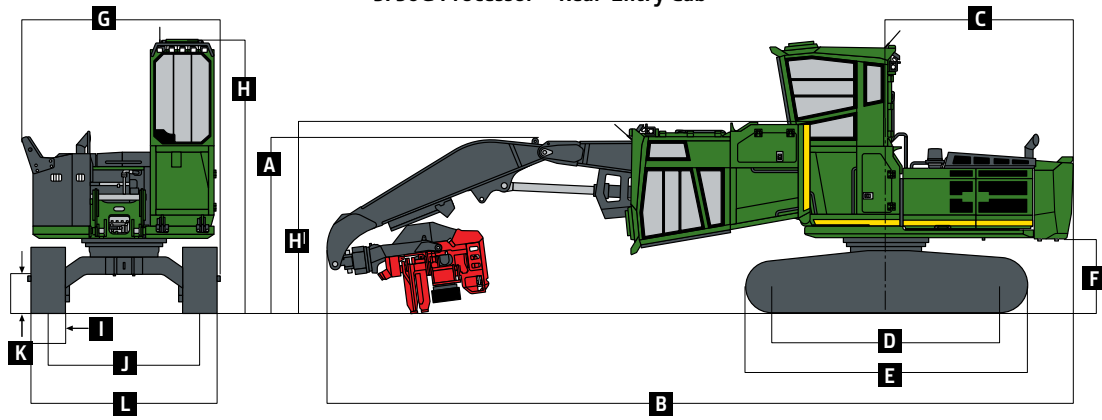
Machine Dimensions	3756G Processor	3756G VIH Log Loader	3756G Live-Heel Log Loader
A Machine Transport Height			
Side-Entry Cab	3.81 m (12 ft. 6 in.)	3.81 m (12 ft. 6 in.)	3.81 m (12 ft. 6 in.)
Rear-Entry Cab	3.81 m (12 ft. 6 in.)	3.68 m (12 ft. 1 in.)	3.68 m (12 ft. 1 in.)
B Overall Length	15.37 m (50 ft. 5 in.)	15.98 m (52 ft. 5 in.)	16.59 m (54 ft. 5 in.)
C Rear-End Length / Swing Radius	3.63 m (11 ft. 11 in.)	3.63 m (11 ft. 11 in.)	3.63 m (11 ft. 11 in.)
D Distance Between Idler / Sprocket Centerline (LC)	4.47 m (14 ft. 8 in.)	4.47 m (14 ft. 8 in.)	4.47 m (14 ft. 8 in.)
E Undercarriage Length (LC)	5.46 m (17 ft. 11 in.)	5.46 m (17 ft. 11 in.)	5.46 m (17 ft. 11 in.)
F Counterweight Clearance	1.47 m (4 ft. 10 in.)	1.47 m (4 ft. 10 in.)	1.47 m (4 ft. 10 in.)
G Upperstructure Width	3.48 m (11 ft. 5 in.)	3.48 m (11 ft. 5 in.)	3.48 m (11 ft. 5 in.)
H Cab Height			
Side-Entry Cab	3.81 m (12 ft. 6 in.)	3.81 m (12 ft. 6 in.)	3.81 m (12 ft. 6 in.)
Rear-Entry Cab	5.18 m (17 ft. 0 in.)	5.18 m (17 ft. 0 in.)	5.18 m (17 ft. 0 in.)
H^l Tilted Cab Height (rear-entry cab)	3.68 m (12 ft. 1 in.)	3.68 m (12 ft. 1 in.)	3.68 m (12 ft. 1 in.)
I Track Width With 700-mm (28 in.) Double-Grouser Shoes	0.70 m (28 in.)	0.70 m (28 in.)	0.70 m (28 in.)
J Center of Sprocket to Center of Sprocket (gauge width)	2.92 m (9 ft. 7 in.)	2.92 m (9 ft. 7 in.)	2.92 m (9 ft. 7 in.)
K Ground Clearance	0.74 m (29 in.)	0.74 m (29 in.)	0.74 m (29 in.)
L Undercarriage Width With 700-mm (28 in.) Double-Grouser Shoes	3.63 m (11 ft. 11 in.)	3.63 m (11 ft. 11 in.)	3.63 m (11 ft. 11 in.)

3756G Processor – Side-Entry Cab

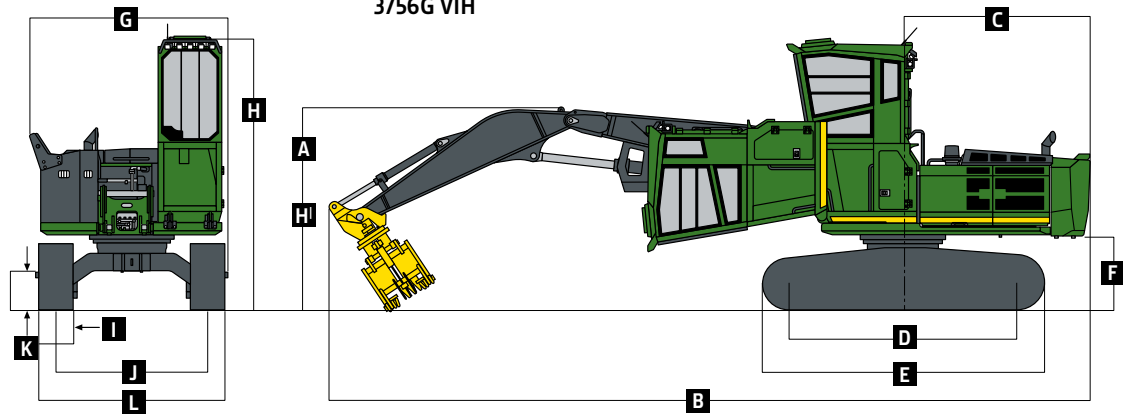


While general information, pictures, and descriptions are provided, some illustrations and text may include product options and accessories NOT AVAILABLE in all regions, and in some countries products and accessories may require modifications or additions to ensure compliance with the local regulations of those countries.

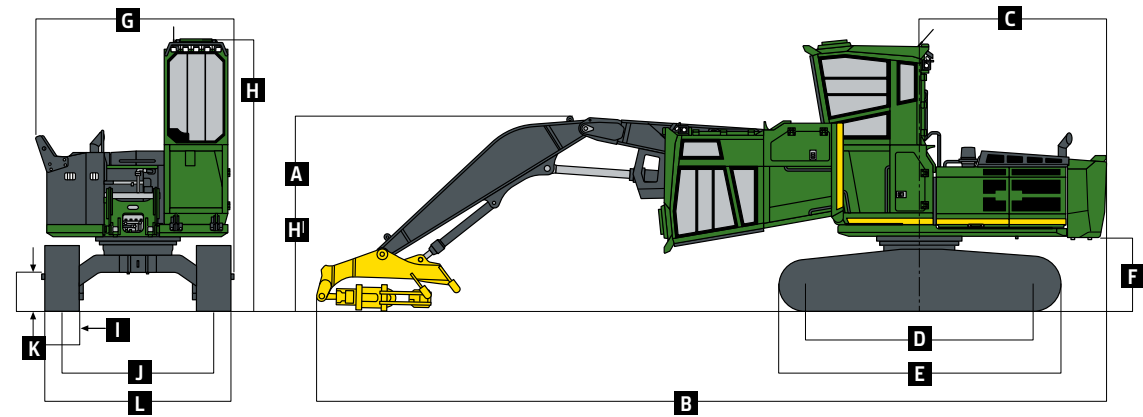
3756G Processor – Rear-Entry Cab



3756G VIH



3756G Live Heel



3756G SWING MACHINE SPECIFICATIONS (continued)

Attachment weight is not included when calculating the lift capacities. Boldface type indicates hydraulic-limited capacities with power boost; lightface type indicates stability-limited capacities, in kg (lb.). Figures do not exceed 87 percent of hydraulic capacities or 75 percent of weight needed to tip machine.

Lift Capacity — 3756G Processor with 2.92-m (9 ft. 7 in.) undercarriage, 700-mm (28 in.) shoes, and heavy counterweight; bare pin										
Load Point Height	4.6 m (15 ft.)		6.1 m (20 ft.)		7.6 m (25 ft.)		9.1 m (30 ft.)		10.7 m (35 ft.)	
	Over Front	Over Side	Over Front	Over Side	Over Front	Over Side	Over Front	Over Side	Over Front	Over Side
12.2 m (40 ft.)	17 570 (38,730)	17 570 (38,730)								
10.7 m (35 ft.)			15 490 (34,130)	15 490 (34,130)	12 830 (28,270)	11 110 (24,490)				
9.1 m (30 ft.)			14 980 (33,020)	14 980 (33,020)	13 530 (29,820)	11 350 (25,010)	10 840 (23,900)	8280 (18,260)		
7.6 m (25 ft.)			15 250 (33,600)	15 250 (33,600)	13 570 (29,900)	11 300 (24,910)	10 930 (24,100)	8370 (18,450)		
6.1 m (20 ft.)	17 100 (37,680)	17 100 (37,680)	16 170 (35,640)	15 810 (34,850)	14 000 (30,860)	11 080 (24,430)	10 840 (23,880)	8280 (18,250)	8400 (18,520)	6390 (14,080)
4.6 m (15 ft.)	21 700 (47,820)	21 700 (47,820)	17 560 (38,710)	15 170 (33,430)	14 180 (31,250)	10 730 (23,660)	10 640 (23,450)	8090 (17,840)	8340 (18,380)	6330 (13,950)
3.1 m (10 ft.)	25 330 (55,820)	22 470 (49,520)	18 980 (41,840)	14 390 (31,710)	13 730 (30,260)	10 320 (22,740)	10 400 (22,920)	7870 (17,340)	8230 (18,130)	6220 (13,710)
1.5 m (5 ft.)	26 940 (59,380)	20 980 (46,230)	18 700 (41,220)	13 660 (30,110)	13 300 (29,320)	9920 (21,870)	10 160 (22,400)	7640 (16,840)	8110 (17,870)	6110 (13,470)
Ground Line	25 980 (57,270)	20 120 (44,350)	18 130 (39,970)	13 150 (28,980)	12 970 (28,590)	9620 (21,200)	9980 (21,990)	7470 (16,460)	8030 (17,700)	6040 (13,300)
-1.5 m (-5 ft.)	22 760 (50,170)	19 820 (43,690)	17 600 (38,800)	12 890 (28,410)	12 790 (28,190)	9450 (20,820)	9880 (21,780)	7380 (16,260)	7310 (16,110)	6040 (13,310)
-3.1 m (-10 ft.)	17 720 (39,050)	17 720 (39,050)	14 320 (31,560)	12 860 (28,340)	11 210 (24,720)	9420 (20,770)	8120 (17,900)	7400 (16,320)		

Lift Capacity — 3756G Processor with 2.92-m (9 ft. 7 in.) LC undercarriage, 700-mm (28 in.) shoes, and heavy counterweight; bare pin										
Load Point Height	4.6 m (15 ft.)		6.1 m (20 ft.)		7.6 m (25 ft.)		9.1 m (30 ft.)		10.7 m (35 ft.)	
	Over Front	Over Side	Over Front	Over Side	Over Front	Over Side	Over Front	Over Side	Over Front	Over Side
12.2 m (40 ft.)	17 570 (38,730)	17 570 (38,730)								
10.7 m (35 ft.)			15 490 (34,130)	15 490 (34,130)	12 830 (28,270)	11 250 (24,800)				
9.1 m (30 ft.)			14 980 (33,020)	14 980 (33,020)	13 530 (29,820)	11 490 (25,320)	11 140 (24,540)	8400 (18,510)		
7.6 m (25 ft.)			15 250 (33,600)	15 250 (33,600)	13 570 (29,900)	11 440 (25,220)	12 220 (26,940)	8480 (18,700)		
6.1 m (20 ft.)	17 100 (37,680)	17 100 (37,680)	16 170 (35,640)	16 000 (35,270)	14 000 (30,860)	11 230 (24,740)	12 340 (27,210)	8390 (18,500)	9580 (21,120)	6480 (14,290)
4.6 m (15 ft.)	21 700 (47,820)	21 700 (47,820)	17 560 (38,710)	15 360 (33,850)	14 670 (32,320)	10 880 (23,970)	12 150 (26,780)	8210 (18,090)	9520 (20,980)	6420 (14,160)
3.1 m (10 ft.)	25 330 (55,820)	22 760 (50,150)	18 980 (41,840)	14 580 (32,130)	15 300 (33,720)	10 460 (23,060)	11 900 (26,230)	7980 (17,590)	9400 (20,730)	6320 (13,920)
1.5 m (5 ft.)	26 940 (59,380)	21 260 (46,870)	19 770 (43,570)	13 850 (30,530)	15 340 (33,810)	10 060 (22,180)	11 660 (25,690)	7760 (17,090)	9290 (20,470)	6210 (13,680)
Ground Line	25 980 (57,270)	20 410 (44,990)	19 390 (42,730)	13 340 (29,400)	15 000 (33,060)	9760 (21,510)	11 470 (25,270)	7580 (16,710)	9200 (20,290)	6130 (13,510)
-1.5 m (-5 ft.)	22 760 (50,170)	20 110 (44,320)	17 600 (38,800)	13 080 (28,830)	13 810 (30,430)	9590 (21,130)	10 740 (23,680)	7490 (16,510)	7310 (16,110)	6130 (13,510)
-3.1 m (-10 ft.)	17 720 (39,050)	17 720 (39,050)	14 320 (31,560)	13 050 (28,760)	11 210 (24,720)	9560 (21,080)	8120 (17,900)	7520 (16,570)		

Lift Capacity — 3756G V1H Log Loader with 2.92-m (9 ft. 7 in.) undercarriage, 700-mm (28 in.) shoes, and heavy counterweight; bare pin										
Load Point Height	4.6 m (15 ft.)		6.1 m (20 ft.)		7.6 m (25 ft.)		9.1 m (30 ft.)		10.7 m (35 ft.)	
	Over Front	Over Side	Over Front	Over Side	Over Front	Over Side	Over Front	Over Side	Over Front	Over Side
12.2 m (40 ft.)	19 020 (41,930)	19 020 (41,930)	14 360 (31,650)	14 360 (31,650)						
10.7 m (35 ft.)			15 700 (34,610)	15 700 (34,610)	14 210 (31,320)	11 110 (24,490)				
9.1 m (30 ft.)			15 210 (33,530)	15 210 (33,530)	13 750 (30,310)	11 370 (25,050)	11 090 (24,450)	8340 (18,390)		
7.6 m (25 ft.)			15 500 (34,160)	15 500 (34,160)	13 800 (30,420)	11 340 (25,000)	11 200 (24,690)	8450 (18,620)		
6.1 m (20 ft.)	15 540 (34,250)	15 540 (34,250)	16 440 (36,240)	15 800 (34,820)	14 250 (31,420)	11 140 (24,560)	11 120 (24,520)	8370 (18,450)	8660 (19,090)	6490 (14,310)
4.6 m (15 ft.)	18 320 (40,390)	18 320 (40,390)	17 860 (39,360)	15 190 (33,470)	14 520 (32,000)	10 820 (23,840)	10 940 (24,120)	8200 (18,080)	8610 (18,980)	6450 (14,210)
3.1 m (10 ft.)			19 290 (42,510)	14 440 (31,820)	14 090 (31,060)	10 420 (22,970)	10 710 (23,610)	7990 (17,600)	8510 (18,750)	6350 (14,000)
1.5 m (5 ft.)			19 160 (42,230)	13 740 (30,280)	13 680 (30,150)	10 040 (22,130)	10 490 (23,120)	7780 (17,140)	8400 (18,520)	6250 (13,770)
Ground Line	26 280 (57,930)	20 110 (44,320)	18 610 (41,020)	13 240 (29,190)	13 360 (29,450)	9750 (21,480)	10 310 (22,730)	7610 (16,770)	8330 (18,350)	6180 (13,620)
-1.5 m (-5 ft.)	23 020 (50,740)	19 820 (43,680)	17 860 (39,370)	13 000 (28,640)	13 180 (29,060)	9580 (21,120)	10 220 (22,530)	7520 (16,580)	7460 (16,430)	6180 (13,630)
-3.1 m (-10 ft.)	17 940 (39,540)	17 940 (39,540)	14 550 (32,070)	12 970 (28,590)	11 430 (25,200)	9560 (21,080)	8310 (18,310)	7550 (16,640)		

While general information, pictures, and descriptions are provided, some illustrations and text may include product options and accessories NOT AVAILABLE in all regions, and in some countries products and accessories may require modifications or additions to ensure compliance with the local regulations of those countries.

Attachment weight is not included when calculating the lift capacities. Boldface type indicates hydraulic-limited capacities with power boost; lightface type indicates stability-limited capacities, in kg (lb.). Figures do not exceed 87 percent of hydraulic capacities or 75 percent of weight needed to tip machine.

Lift Capacity — 3756G VIH Log Loader with 2.92-m (9 ft. 7 in.) LC undercarriage, 700-mm (28 in.) shoes, and heavy counterweight; bare pin

Load Point Height	4.6 m (15 ft.)		6.1 m (20 ft.)		7.6 m (25 ft.)		9.1 m (30 ft.)		10.7 m (35 ft.)	
	Over Front	Over Side	Over Front	Over Side	Over Front	Over Side	Over Front	Over Side	Over Front	Over Side
12.2 m (40 ft.)	19 020 (41,930)	19 020 (41,930)	14 360 (31,650)	14 360 (31,650)						
10.7 m (35 ft.)			15 700 (34,610)	15 700 (34,610)	14 210 (31,320)	11 390 (25,100)				
9.1 m (30 ft.)			15 210 (33,530)	15 210 (33,530)	13 750 (30,310)	11 640 (25,660)	12 440 (27,410)	8550 (18,840)		
7.6 m (25 ft.)			15 500 (34,160)	15 500 (34,160)	13 800 (30,420)	11 620 (25,610)	12 450 (27,440)	8660 (19,080)		
6.1 m (20 ft.)	15 540 (34,250)	15 540 (34,250)	16 440 (36,240)	16 200 (35,710)	14 250 (31,420)	11 420 (25,170)	12 540 (27,640)	8580 (18,910)	9760 (21,520)	6660 (14,680)
4.6 m (15 ft.)	18 320 (40,390)	18 320 (40,390)	17 860 (39,360)	15 580 (34,350)	14 930 (32,900)	11 090 (24,440)	12 360 (27,230)	8410 (18,530)	9710 (21,410)	6610 (14,580)
3.1 m (10 ft.)			19 290 (42,510)	14 830 (32,690)	15 570 (34,320)	10 690 (23,560)	12 120 (26,710)	8190 (18,060)	9610 (21,170)	6520 (14,360)
1.5 m (5 ft.)			20 070 (44,240)	14 130 (31,140)	15 600 (34,380)	10 310 (22,720)	11 890 (26,200)	7980 (17,590)	9500 (20,930)	6410 (14,130)
Ground Line	26 280 (57,930)	20 770 (45,770)	19 670 (43,360)	13 630 (30,040)	15 270 (33,650)	10 010 (22,070)	11 710 (25,800)	7810 (17,220)	9420 (20,760)	6340 (13,980)
-1.5 m (-5 ft.)	23 020 (50,740)	20 470 (45,130)	17 860 (39,370)	13 380 (29,490)	14 050 (30,980)	9850 (21,710)	10 960 (24,160)	7730 (17,030)	7460 (16,430)	6350 (13,990)
-3.1 m (-10 ft.)	17 940 (39,540)	17 940 (39,540)	14 550 (32,070)	13 350 (29,430)	11 430 (25,200)	9830 (21,670)	8310 (18,310)	7760 (17,090)		

Lift Capacity — 3756G Live-Heel Log Loader with 2.92-m (9 ft. 7 in.) undercarriage, 700-mm (28 in.) shoes, and heavy counterweight; bare pin

12.2 m (40 ft.)			15 250 (33,600)	14 760 (32,540)	12 400 (27,320)	10 630 (23,430)				
10.7 m (35 ft.)			14 080 (31,040)	14 080 (31,040)	12 750 (28,100)	10 450 (23,040)	7880 (17,370)			
9.1 m (30 ft.)			13 750 (30,300)	13 750 (30,300)	12 420 (27,380)	10 770 (23,740)	7700 (16,960)	8370 (18,440)	6180 (13,610)	
7.6 m (25 ft.)			14 020 (30,910)	14 020 (30,910)	12 660 (27,900)	10 800 (23,810)	7860 (17,320)	7960 (17,540)	5780 (12,750)	
6.1 m (20 ft.)			14 150 (31,190)	14 150 (31,190)	13 250 (29,200)	10 670 (23,510)	7830 (17,250)	8080 (17,810)	5900 (13,010)	4830 (10,640)
4.6 m (15 ft.)			17 010 (37,480)	15 110 (33,300)	14 040 (30,940)	10 390 (22,910)	7660 (16,880)	8140 (17,940)	5960 (13,130)	4820 (10,630)
3.1 m (10 ft.)			16 910 (37,270)	14 690 (32,380)	13 740 (30,290)	10 040 (22,120)	7500 (16,520)	8150 (17,970)	5970 (13,160)	4750 (10,480)
1.5 m (5 ft.)			19 080 (42,050)	13 800 (30,410)	13 360 (29,440)	9680 (21,330)	7400 (16,310)	8020 (17,670)	5840 (12,880)	4670 (10,300)
Ground Line	15 890 (35,030)	15 890 (35,030)	18 530 (40,830)	13 090 (28,840)	13 110 (28,900)	9460 (20,840)	7210 (15,900)	7860 (17,320)	5690 (12,540)	4610 (10,150)
-1.5 m (-5 ft.)	13 760 (30,330)	13 760 (30,330)	17 960 (39,580)	12 570 (27,710)	12 750 (28,090)	9110 (20,080)	7740 (17,050)	5580 (12,290)	6080 (13,410)	4590 (10,120)
-3.1 m (-10 ft.)	15 370 (33,880)	15 370 (33,880)	16 730 (36,880)	16 730 (36,880)	12 520 (27,600)	8910 (19,630)	6890 (15,190)	7380 (16,270)	5550 (12,230)	

Lift Capacity — 3756G Live-Heel Log Loader with 2.92-m (9 ft. 7 in.) LC undercarriage, 700-mm (28 in.) shoes, and heavy counterweight; bare pin

12.2 m (40 ft.)			15 250 (33,600)	15 160 (33,420)	12 400 (27,320)	10 900 (24,030)				
10.7 m (35 ft.)			14 080 (31,040)	14 080 (31,040)	12 750 (28,100)	10 730 (23,640)	11 250 (24,800)	8090 (17,830)		
9.1 m (30 ft.)			13 750 (30,300)	13 750 (30,300)	12 420 (27,380)	11 050 (24,350)	11 320 (24,950)	7900 (17,410)	6340 (13,980)	
7.6 m (25 ft.)			14 020 (30,910)	14 020 (30,910)	12 660 (27,900)	11 080 (24,420)	11 300 (24,910)	8070 (17,780)	9060 (19,970)	5950 (13,110)
6.1 m (20 ft.)			14 150 (31,190)	14 150 (31,190)	13 250 (29,200)	10 940 (24,120)	11 560 (25,480)	8040 (17,710)	9190 (20,250)	6070 (13,370)
4.6 m (15 ft.)			17 010 (37,480)	15 510 (34,180)	14 040 (30,940)	10 670 (23,510)	7870 (17,340)	9250 (20,390)	6130 (13,500)	4960 (10,940)
3.1 m (10 ft.)			16 910 (37,270)	15 100 (33,270)	14 780 (32,580)	10 310 (22,730)	7700 (16,980)	9260 (20,420)	6140 (13,530)	4900 (10,790)
1.5 m (5 ft.)			19 080 (42,050)	14 190 (31,280)	15 200 (33,510)	9950 (21,930)	7600 (16,760)	9120 (20,110)	6010 (13,240)	4810 (10,600)
Ground Line	15 890 (35,030)	15 890 (35,030)	19 460 (42,900)	13 480 (29,700)	15 040 (33,150)	9720 (21,430)	7420 (16,350)	8960 (19,750)	5860 (12,910)	4750 (10,460)
-1.5 m (-5 ft.)	13 760 (30,330)	13 760 (30,330)	18 730 (41,290)	12 960 (28,560)	14 580 (32,130)	9380 (20,670)	7210 (15,880)	8830 (19,470)	5740 (12,650)	4730 (10,430)
-3.1 m (-10 ft.)	15 370 (33,880)	15 370 (33,880)	16 730 (36,880)	12 660 (27,910)	13 040 (28,750)	9170 (20,220)	7100 (15,640)	7380 (16,270)	5720 (12,600)	

While general information, pictures, and descriptions are provided, some illustrations and text may include product options and accessories NOT AVAILABLE in all regions, and in some countries products and accessories may require modifications or additions to ensure compliance with the local regulations of those countries.



MSW3756GC (23-02)

Contact us to learn more.

JohnDeere.com/SwingMachines
JohnDeere.ca/SwingMachines



JOHN DEERE