

# REPLACEMENT PARTS GUIDE

## 6500A PrecisionCut Fairway Mower

### ENGINE



**OIL FILTER**  
[M806418](#)

Change every 250 hrs.



**ENGINE OIL**  
[TY26669](#) (Plus-50™ II 10W-30)  
(WITH FILTER - 3.4 L (3.6 qt))  
(WITHOUT FILTER - 3.2 L (3.4 qt))

Change every 250 hrs.



**FILTER ELEMENT**  
[M131802](#) (PRIMARY)  
[M131803](#) (SECONDARY)

Change every 500 hrs.



**JOHN DEERE MULTI - PURPOSE SD POLYUREA GREASE**  
[TY6341](#) (FOR MACHINE AND LIFT ARMS)  
**JOHN DEERE SPECIAL PURPOSE GOLF AND TURF CUTTING UNIT GREASE**  
[TY25083](#) (FOR CUTTING UNIT AND CUTTING UNIT ATTACHMENTS)

**GREASE GUN**  
[TY26183](#)  
Change As Required.



**FUEL FILTER**  
[MIU800645](#)  
Change every 500 hrs.



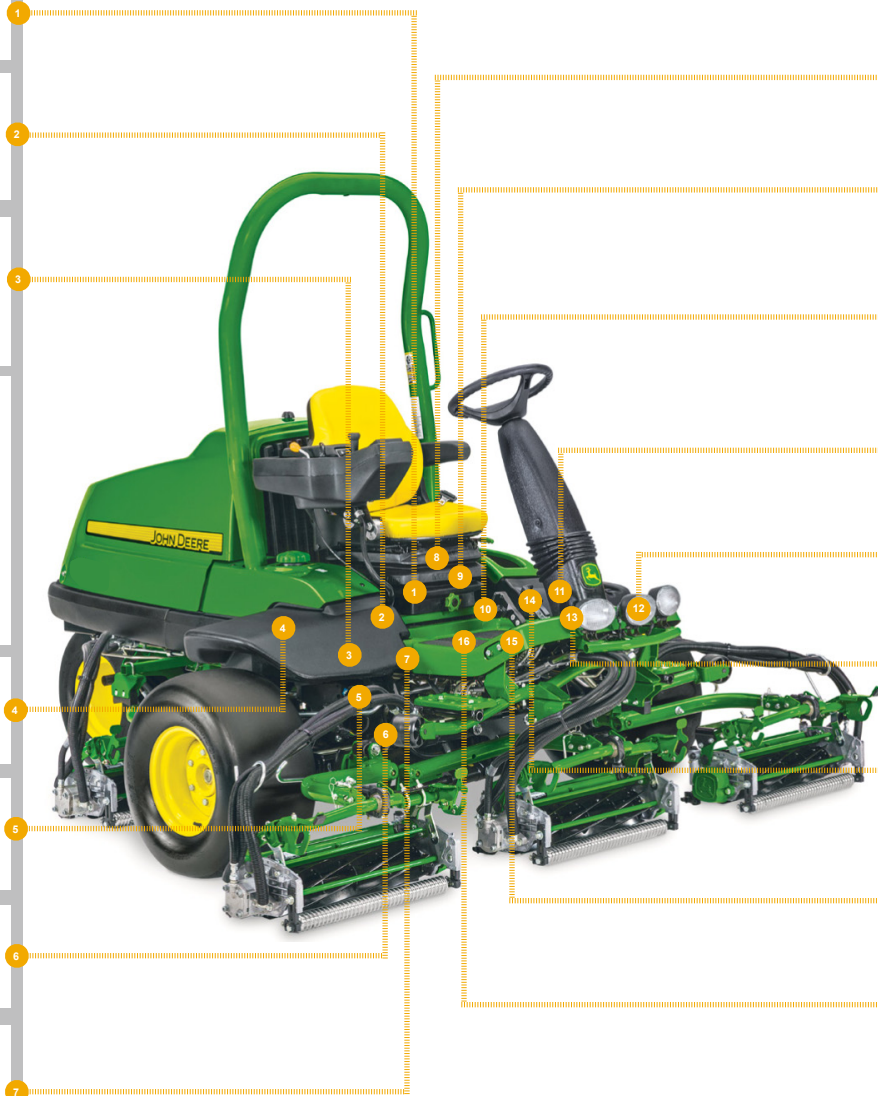
**V - BELT**  
[TCU38089](#) (LGTH = 1475 mm, TK = 12 mm, WIDTH = 11 mm) (FAN DRIVE)



**FUEL FILTER ELEMENT**  
[M811032](#)  
Change every 500 hrs.



**HYDRAULIC FILTER ELEMENT**  
[UC34161](#) (S/N ( - 050000))  
[UC33371](#) (S/N (050001 - ))  
Change Every 750 Hours / Yearly.



### ELECTRICAL



**KEY**  
[AUC12681](#)



**IGNITION SWITCH**  
[AUC18708](#)



**BATTERY**  
[TY25876B](#) (12 V) (FOR CANADA AND USA)  
[MCYP25876](#) (12 V) (NOT FOR CANADA AND USA)



**THERMOSTAT**  
[M811895](#)



**HEAD LIGHT**  
[RE573609](#)



**WATER TEMPERATURE SWITCH**  
[CH15516](#)



**V - BELT**  
[M82461](#) (LGTH = 990.60 mm, TK = 7.87 mm, WIDTH = 12.7 mm) (ALTERNATOR)

### FUEL & AIR



**FILLER CAP**  
[LVA18519](#)



**MUFFLER**  
[MIU803783](#)

# REPLACEMENT PARTS GUIDE

## 6500A PrecisionCut Fairway Mower Reel Cutting Unit

### STATIONARY KNIFE

- [UC23562](#) (HEIGHT OF CUT = 7.6 mm), (7 - BLADE)
- [UC28156](#) (HEIGHT OF CUT = 4.8 mm), (7 - BLADE)
- [UC18873](#) (HEIGHT OF CUT = 3.2 mm), (7 - BLADE), (STANDARD)
- [ET11066](#) (HEIGHT OF CUT = 3.2 mm), (7 - BLADE), (GREENS)
- [UC18869](#) (HEIGHT OF CUT = 2.5 mm), (7 - BLADE), (TOURNAMENT)
- [UC23562](#) (HEIGHT OF CUT = 7.6 mm), (11 - BLADE)
- [UC28163](#) (HEIGHT OF CUT = 2.0 mm), (11-BLADE), (LOW CUT)
- [TCU36165](#) (HEIGHT OF CUT = 2.0 mm), (11-BLADE), (GREENS LOW-C)
- [UC18873](#) (HEIGHT OF CUT = 3.2 mm), (11-BLADE), (STANDARD)
- [ET11066](#) (HEIGHT OF CUT = 3.2 mm), (11-BLADE), (GREENS)
- [UC18869](#) (HEIGHT OF CUT = 2.5 mm), (11-BLADE), (TOURNAMENT)

### MOWER REEL

- [TCA19350](#) (7 BLADE)
- [TCA19351](#) (11 BLADE)

### SCRAPER

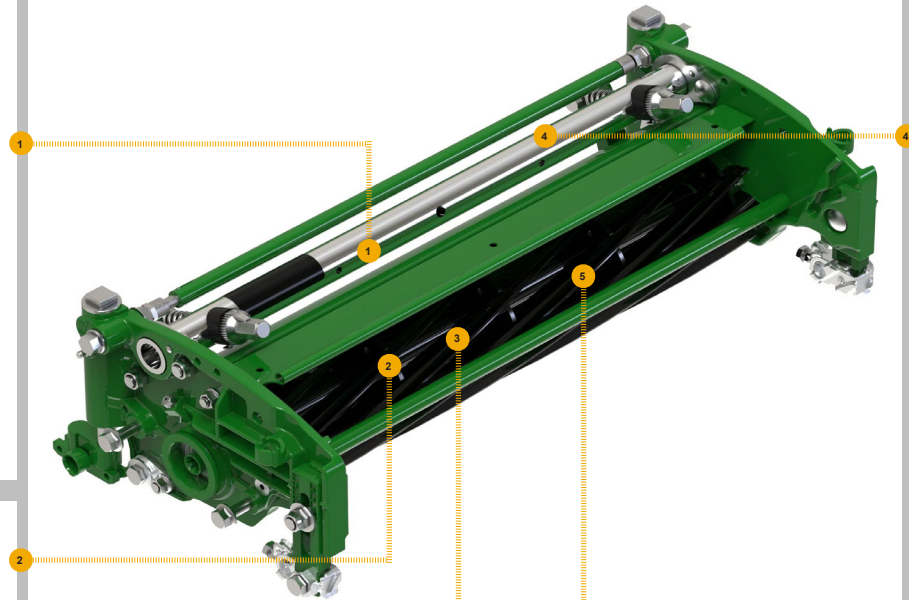
- [BM23002](#) (GROOVED ROLLER SCRAPER), (3 INCH)
- [TCA19547](#) (MACHINE GROOVED ROLLER SCRAPER), (2 INCH)
- [BUC10113](#) (SMOOTH SCRAPER KIT), (FRONT), (2 INCH)
- [BUC10112](#) (SMOOTH SCRAPER), (REAR), (2 INCH)

### ROLLER

- [BM24202](#) (HOLLOW SMOOTH ROLLER), (2 INCH)
- [BM18480](#) (HOLLOW SMOOTH FRONT ROLLER), (2 INCH)
- [BM18711](#) (SMOOTH FRONT ROLLER), (2 INCH)
- [AMT2967](#) (SMOOTH ROLLER), (22 INCH)
- [BM25317](#) (HEAVY DUTY GROOVED DISC FRONT ROLLER), (3 INCH)
- [BM19817](#) (SPIRAL GROOVED FRONT ROLLER), (3 INCH)
- [AMT1286](#) (GROOVED END SPIRAL ROLLER), (22 INCH)
- [BM22995](#) (SMOOTH ROLLER SCRAPER), (2 INCH)
- [BM19821](#) (MACHINED SPIRAL GROOVED FRONT ROLLER), (2 INCH)
- [BE23416](#) (MACHINE GROOVED FRONT ROLLER), (2 INCH)
- [BM18481](#) (CONTINUOUS MACHINE GROOVED FRONT ROLLER), (2 INCH)
- [BTC10267](#) (RELIEVED GROOVED ROLLER)
- [BM18712](#) (EXTENDED MACHINE GROOVED FRONT ROLLER), (2 INCH)
- [BTC10281](#) (RELIEVED SHORT GROOVED ROLLER), (2 INCH)
- [BM23566](#) (RELIEVED SPIRAL GROOVED ROLLER), (2 INCH)
- [BM26408](#) (GROOVED ROLLER), (2.5 INCH)
- [BUC10786](#) (SMOOTH ROLLER, W/ BEARINGS), (22 INCH)




### GRASS CATCHER

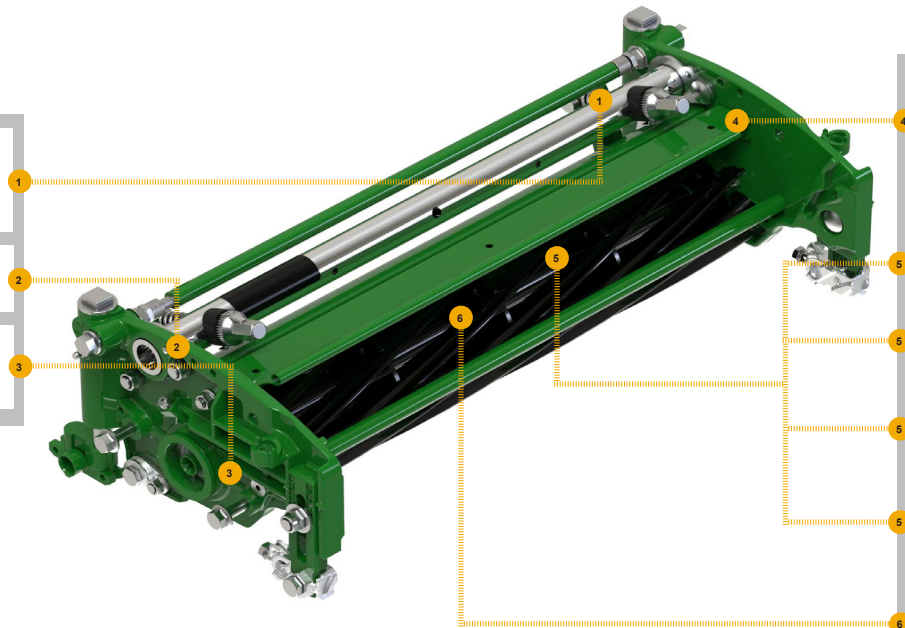
- [BTC10718](#) (GRASS CATCHER), (LOW CAPACITY), (22 INCH)
- [BTC10719](#) (GRASS CATCHER), (HIGH CAPACITY), (22 INCH)
- [BTC10909](#) (FRONT GRASS CATCHER), (22 INCH)
- [BTC11038](#) (REAR GRASS CATCHER), (22 INCH)
- [BTC10408](#) (REAR GRASS CATCHER, W/ HANDLE), (22 INCH)









# REPLACEMENT PARTS GUIDE

## 6500A PrecisionCut Fairway Mower Reel Cutting Unit

-  **TORSION SPRING**  
[TCU39484](#) (RH, LATCH)  
[TCU39483](#) (LH, LATCH)
-  **SYNCHRONOUS BELT**  
[TCU32422](#) (LGTH = 375 mm,WIDTH = 11 mm)
-  **VOLTAGE REGULATOR**  
[TCA21972](#)



-  **BRACKET**  
[UC16109](#) (RH)  
[UC18211](#) (LH)
- VERTICAL CUTTING UNIT**
-  **ADJUSTER**  
[TCU24328](#)
-  **SHIELD**  
[TCA19624](#)
-  **SHAFT**  
[TCA19344](#)
-  **BLADE**  
[TCU26776](#)
-  **REEL CUTTING UNIT**  
[BUC11255](#) (22 INCH), (7 - BLADE)  
[BUC10415](#) (18 INCH), (11 - BLADE)